

Mfg. No: 1051-1
580.762201, 2,200 PSI Craftsman



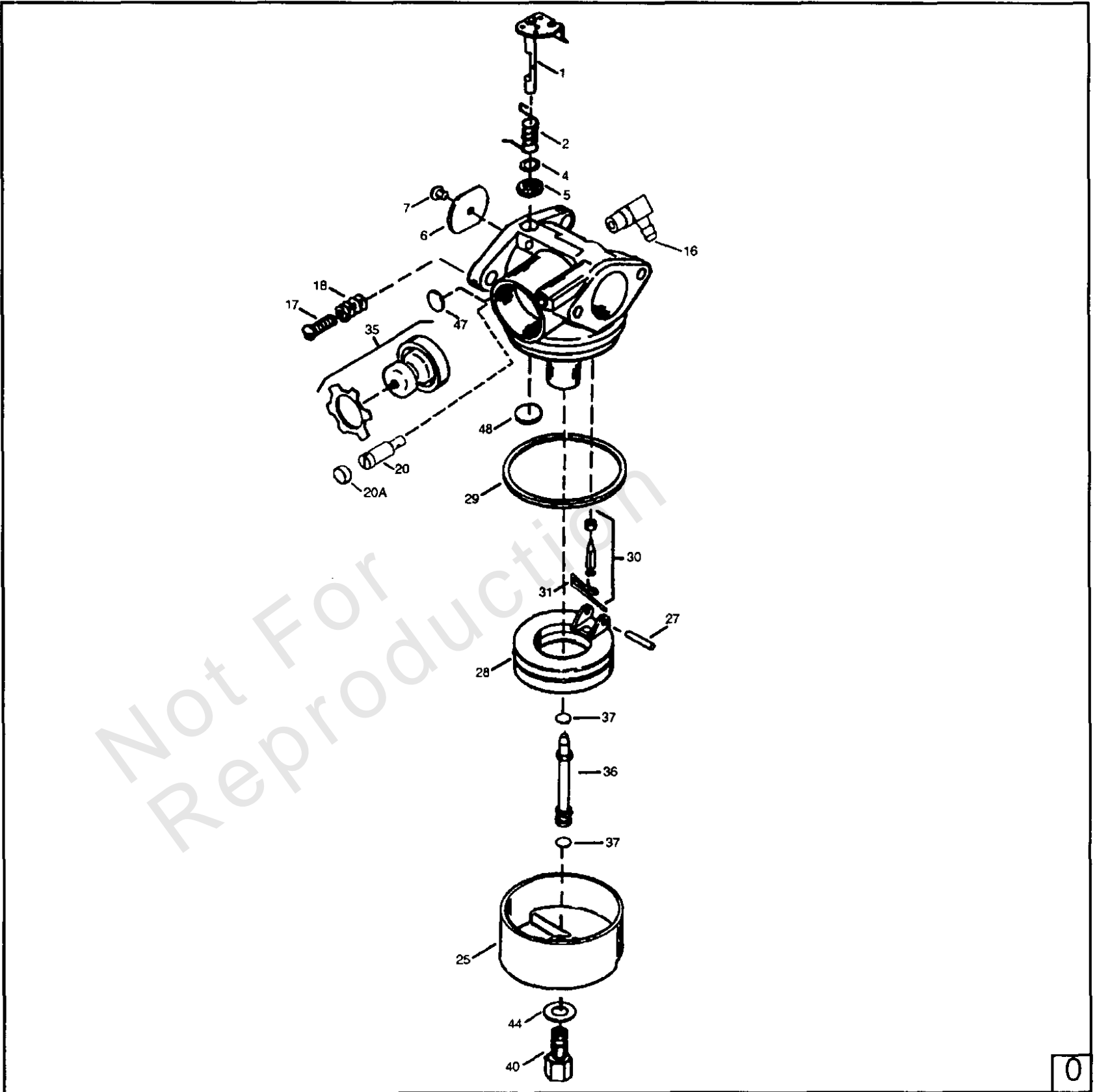
Model Components	Page
Carburetor.....	4
Main Unit.....	6
Pump & Crankcase Assemblies.....	10
Rewind Starter.....	14
Torque Specification Chart.....	16

Not For
Reproduction

Carburetor

Note: Unless noted otherwise, use the standard torque specifications

Mfg. No: 1051-1



0

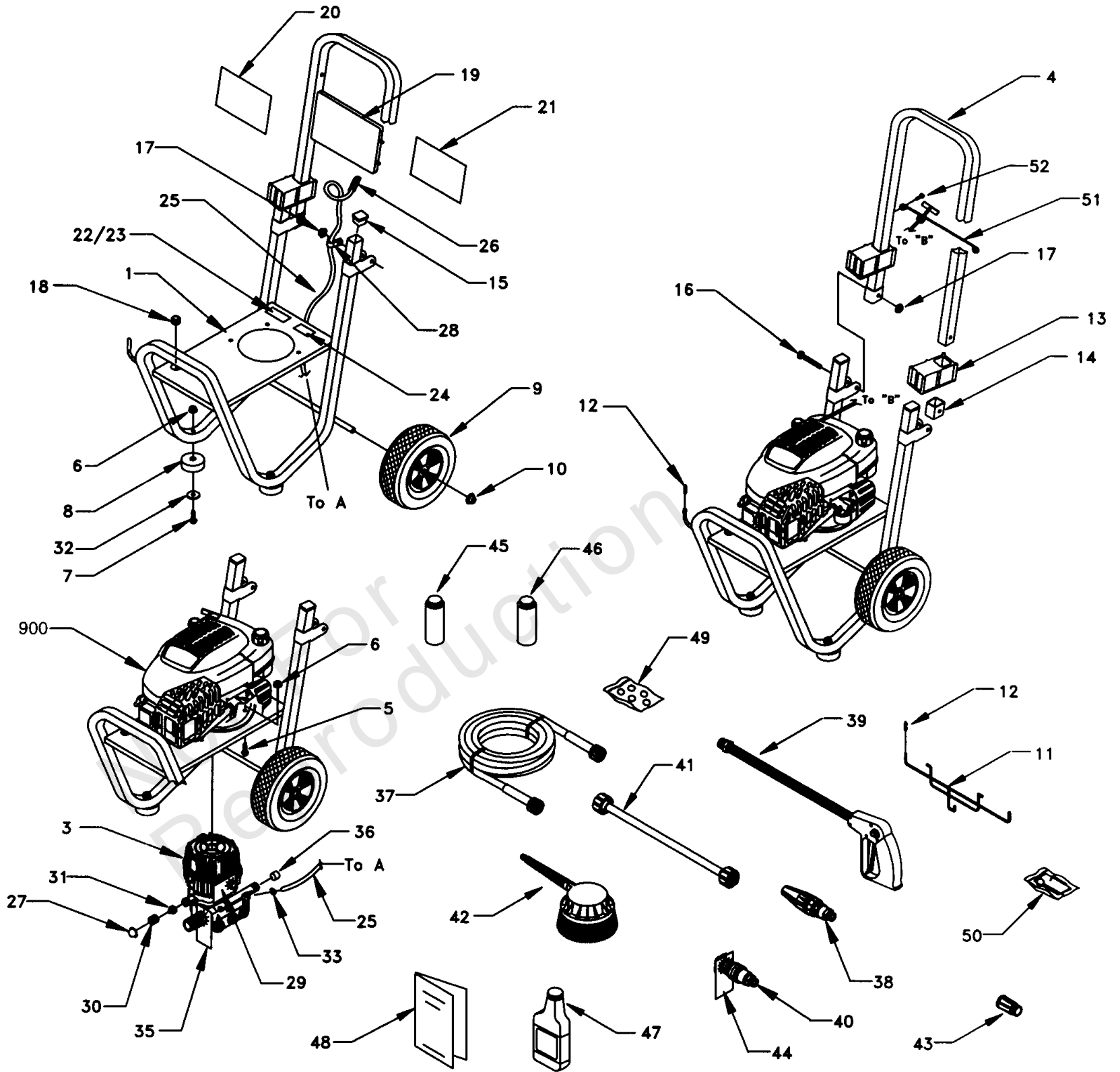
Carburetor

REF NO	PART NO	QTY	DESCRIPTION
0	640147	1	Carburetor -(Incl. 184 of Engine Parts List)
1	631615	1	Throttle Shaft & Lever Assembly
2	631767	1	Throttle Return Spring
4	631184	1	Dust Seal Washer
5	631183	1	Dust Seal -(Throttle)
6	640070	1	Throttle Shutter
7	650506	1	Shutter Screw
16	631807	1	Fuel Fitting
17	651025	1	Throttle Crack Screw/Idle Speed Screw
18	630766	1	Tension Spring
20	640016	1	Idle Restrictor Screw
20A	640053	1	Idle Restrictor Screw Cap
25	631867	1	Float Bowl
27	631024	1	Float Shaft
28	632019	1	Float
29	631028	1	Float Bowl "O" Ring
30	631021	1	Inlet Needle, Seat, & Clip -(Incl. 31)
31	631022	1	Spring Clip
35	36045A	1	Primer Bulb/Retainer Ring
36	632745	1	Main Nozzle Tube
37	632547	1	Main Nozzle Tube
	-----	2	"O" Ring
40	640083	1	High Speed Bowl Nut
44	27110	1	Bowl Nut Washer
47	630748	1	Welch Plug, Idle Mixture Well
48	631027	1	Welch Plug, Atmospheric Vent

Main Unit

Note: Unless noted otherwise, use the standard torque specifications

Mfg. No: 1051-1



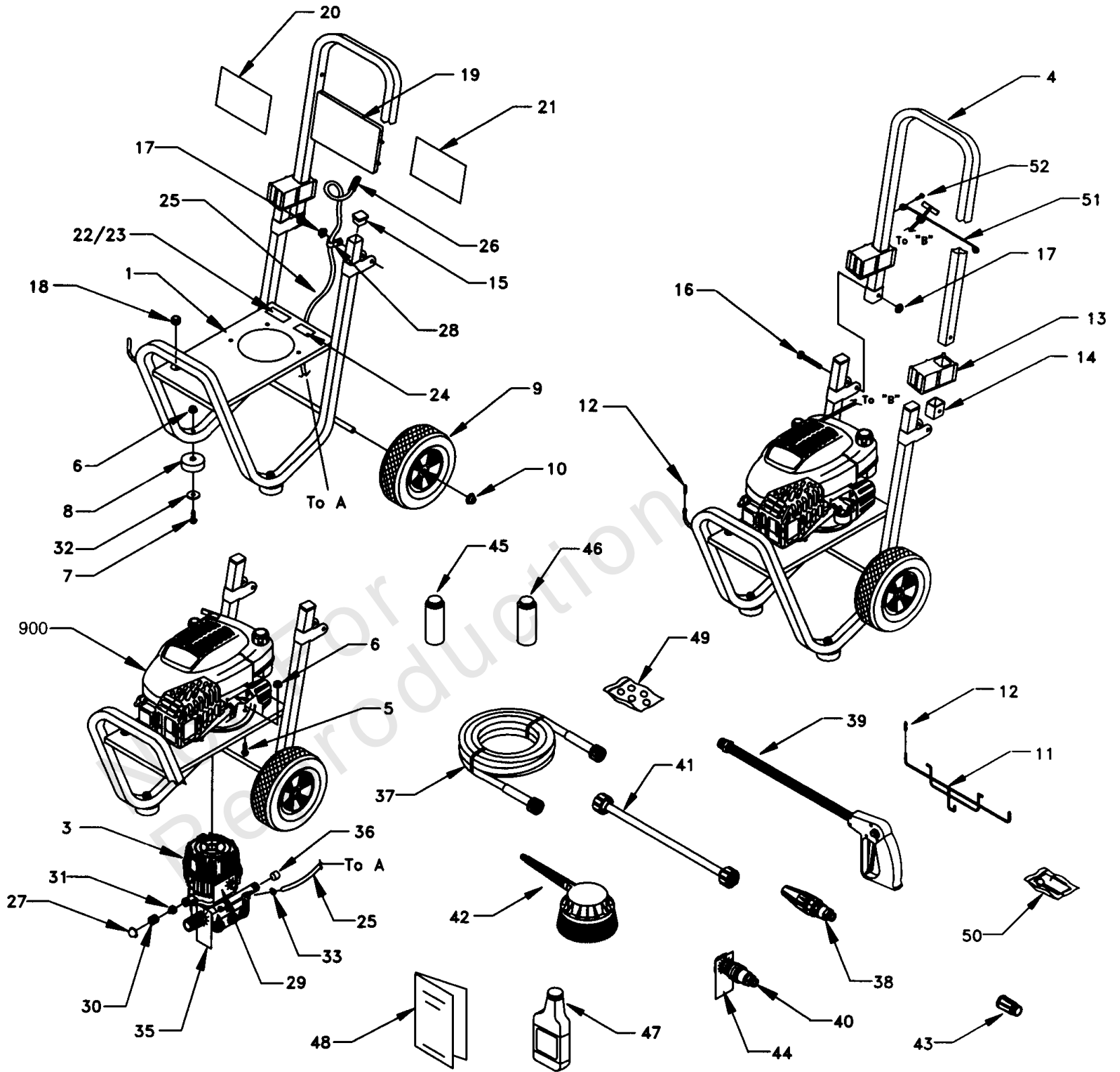
Main Unit

REF NO	PART NO	QTY	DESCRIPTION
1	EB2528	1	BASE, VSPW
2	~NSP	1	ENGINE, Tecumseh OHV 6.75HP, 143.986714
3	~NSP	1	PUMP, Medium Frame
4	EB2534	1	HANDLE
5	39414	3	HHCS, M8 x 35
6	52858	5	NUT, M8 Locking Flange
7	39287	2	HHCS, M8 x 45
8	27007	2	MOUNT, Rubber Foot
9	B2142	2	WHEEL 2" x 9" Black Mag
10	75402	2	PUSHNUT, 1/2"
11	B2168	1	HANGER, Hose
12	B1460	3	CAP, Vinyl
13	B1779	2	COVER, Hinge
14	B2347	2	CAP, End
15	46476	2	CAPLUG
16	51767	2	HHCS, M6 - 1.0 x 45
17	52857	2	NUT, M6 Locking Flange
18	92235	1	GROMMET, Turbo Nozzle
19	B1631A	1	BILLBOARD
20	82623	1	DECAL, Craftsman 2200 PSI
21	B2626	1	DECAL, Instructions
22	91373	1	DECAL, Data
23	79552	1	OVERLAMINATE
24	96307	1	DECAL, 1-800 #
25	A1040B	1	HOSE, Chemical
26	A1041	1	FILTER, Chemical Hose
27	A1408	1	CAP, Garden Hose Inlet
28	B1232	1	CLAMP, Hose 7/16"
29	B1288	1	TAG, Breather Cap
30	21782	1	QUICK DISCONNECT, Female
31	21781	1	QUICK DISCONNECT, Male
32	50190	2	WASHER, M8 Flat
33	48031	1	CLAMP, Hose 3/16"
35	97054	1	TAG, Pressure Adjust
36	97100	1	CAP, High Pressure
37	B1969	1	HOSE, 1/4" x 25'
38	B1974G	1	TURBO, Nozzle
39	B2370	1	GUN, High Pressure
40	95587E	1	NOZZLE, Adjustable
41	97123	1	WAND, Extension
42	88176A	1	BRUSH, Rotating
43	88935	1	ADAPTER, Brush
44	97566	1	TAG, Nozzle
45	B1736	1	WASH, Vehicle/Boat
46	B1736A	1	WASH, House/Multi Purpose
47	96382	1	OIL, Engine SAE 30
48	B3370	1	MANUAL, Owners
49	B2730	1	KIT, O-Ring Maintenance
50	97009	1	KIT, Nozzle Cleaning
51	B3073	1	GUIDE, Recoil Rope
52	20441	2	SCREW, Self Drill 1/4" x 3/4"

Main Unit

Note: Unless noted otherwise, use the standard torque specifications

Mfg. No: 1051-1



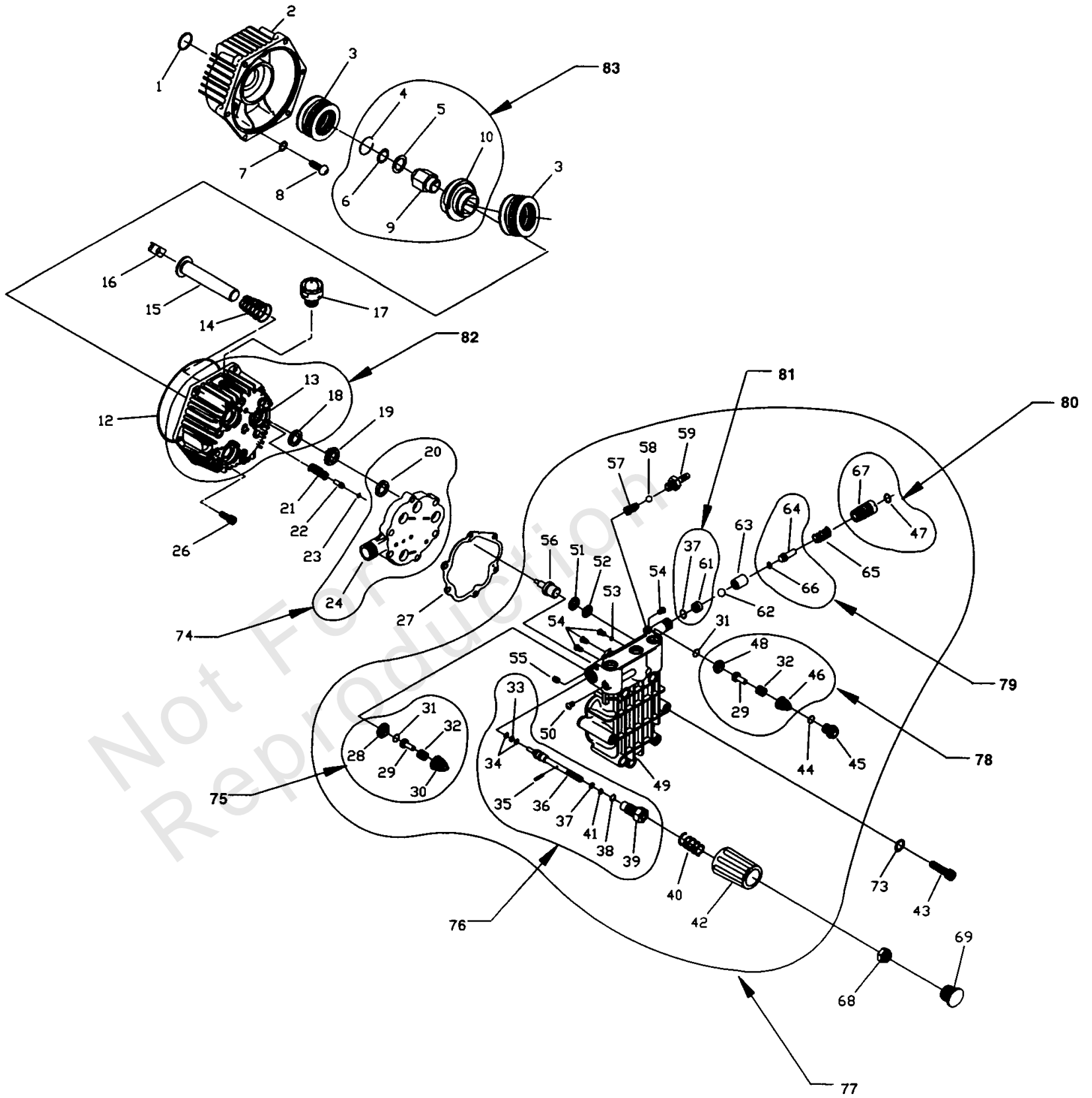
Main Unit

REF NO	PART NO	QTY	DESCRIPTION
900	-----		UNKNOWN
	7175187		Garden Hose Quick Connect -Optional Accessories, Not Illustrated
	7175197		Accessory Quick Connect Kit -Optional Accessories, Not Illustrated
	7175199		Rotating Brush -Optional Accessories, Not Illustrated
	7176430		Floor/Siding Brush -Optional Accessories, Not Illustrated
	7176431		Utility Brush -Optional Accessories, Not Illustrated
	7175115		Replacement Hose -Optional Accessories, Not Illustrated
	7176450		25' Extension Hose -Optional Accessories, Not Illustrated
	7176451		50' Extension Hose -Optional Accessories, Not Illustrated
	7175116		O Ring Kit -Optional Accessories, Not Illustrated
	7176486		Medium Duty Turbo Nozzle -Optional Accessories, Not Illustrated
	7176400		House wash -Optional Accessories, Not Illustrated
	7176401		Deckwash -Optional Accessories, Not Illustrated
	7176402		Vehicle / Boat Wash -Optional Accessories, Not Illustrated
	7176403		Deck Wash -Optional Accessories, Not Illustrated

Pump & Crankcase Assemblies

Note: Unless noted otherwise, use the standard torque specifications

Mfg. No: 1051-1



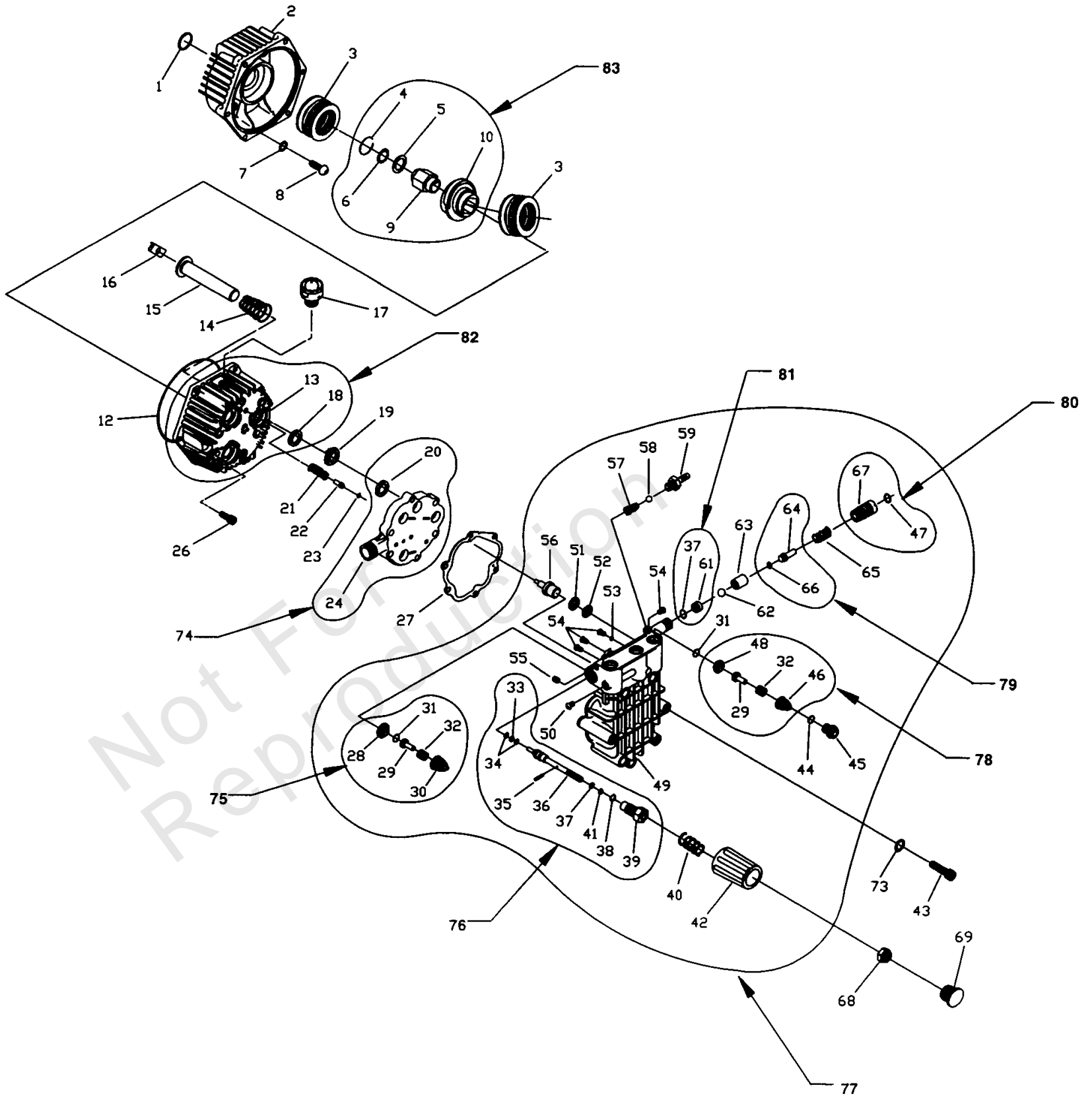
Pump & Crankcase Assemblies

REF NO	PART NO	QTY	DESCRIPTION
1	B2218	1	O-RING, 1.625" x 0.103
2	B2260	1	ADAPTER, Engine
3	96542	2	BEARING, Eng. Adptr. Roller Thrust 4x4
4	97675	1	O-RING, Cam Retainer
5	97570	1	WASHER, Thrust
6	95524	1	WASHER, Retainer
7	B2217	4	O-RING, 0.239 ID x 0.070
8	B2261B	4	SCREW, Button Hd 5/16 - 24 x 3/4" Lg
9	95435	1	ADAPTER, Engine Shaft 3/4"
10	97671V	1	CAM, Axial 6.0 Lift
12	93790	1	O-RING, Crankcase 113.97 x 119.21 x 2.62
13	97568A	1	CRANKCASE, Pump
14	96400	3	SPRING, Piston Return
15	99427	3	ASSEMBLY, Ceramic Piston & Cap
16	94944	3	SHOE, Piston Pivot
17	99735	1	ASSEMBLY, Breather
18	93680	3	SEAL, Oil Piston
19	93668	3	SPACER, Pilot
20	93667	3	SEAL, U - Cup ELF
21	93652	1	SPRING, Thermal Relief Actuator
22	95416	1	PISTON, Thermal Relief Actuator
23	93876	1	O-RING, Decal Relief 2.9 x 6.5 x 1.78
24	A1320	1	SPACER, Inlet Plate
26	40945	6	SCREW, SHC M6 x 1.0 x 20 mm Lg
27	A2069	1	GASKET, Head
28	A2062	3	SEAT, Check Valve Inlet
29	A2060	6	POPPET, Check Valve
30	97931	3	CAGE, Check Valve Inlet
31	B2640	6	O-RING, Chk Valve 12.4 x 15.96 x 1.78
32	97929	6	SPRING, Check Valve Outlet
33	97843	1	O-RING, 9.25 x 12.81 x 1.78
34	A2017	2	PAR-BACK, Backup Ring
35	A1719	1	PIN, 2.0 Dia. Spindle
36	B3184	1	SPINDLE, Pressure Regulator
37	93656	2	O-RING, Spindle 6 x 10 x 1.78
38	A3829	1	O-RING, Retainer Nut 14 x 17.56 x 1.78
39	A1712	1	NUT, Retainer - Spindle
40	A1716	1	SPRING, Unloader
41	A2016	1	PAR-BACK, Backup Ring
42	B3117	1	HANDLE, Unloader
43	A2013	6	BOLT, Head M8 x 1.25 x 70mm Lg
44	97840	3	O-RING, Chk Valve Cap 15.6 x 19.16 x 1.78
45	97841	3	CAP, Outlet Port
46	20002	3	CAGE, Check Valve Outlet
47	A3805	1	O-RING, Venturi 10.82 x 14.38 x 1.78
48	A2217	3	SEAT, Check Valve Outlet
49	A1318	1	CYLINDER, Head
50	B1758	1	PLUG, Button M8 x 1.25 x 8 mm
51	96053	3	SEAL, High Pressure
52	96015	3	RING, Bearing
53	A1717	1	MAGNET, Ball Deflector

Pump & Crankcase Assemblies

Note: Unless noted otherwise, use the standard torque specifications

Mfg. No: 1051-1



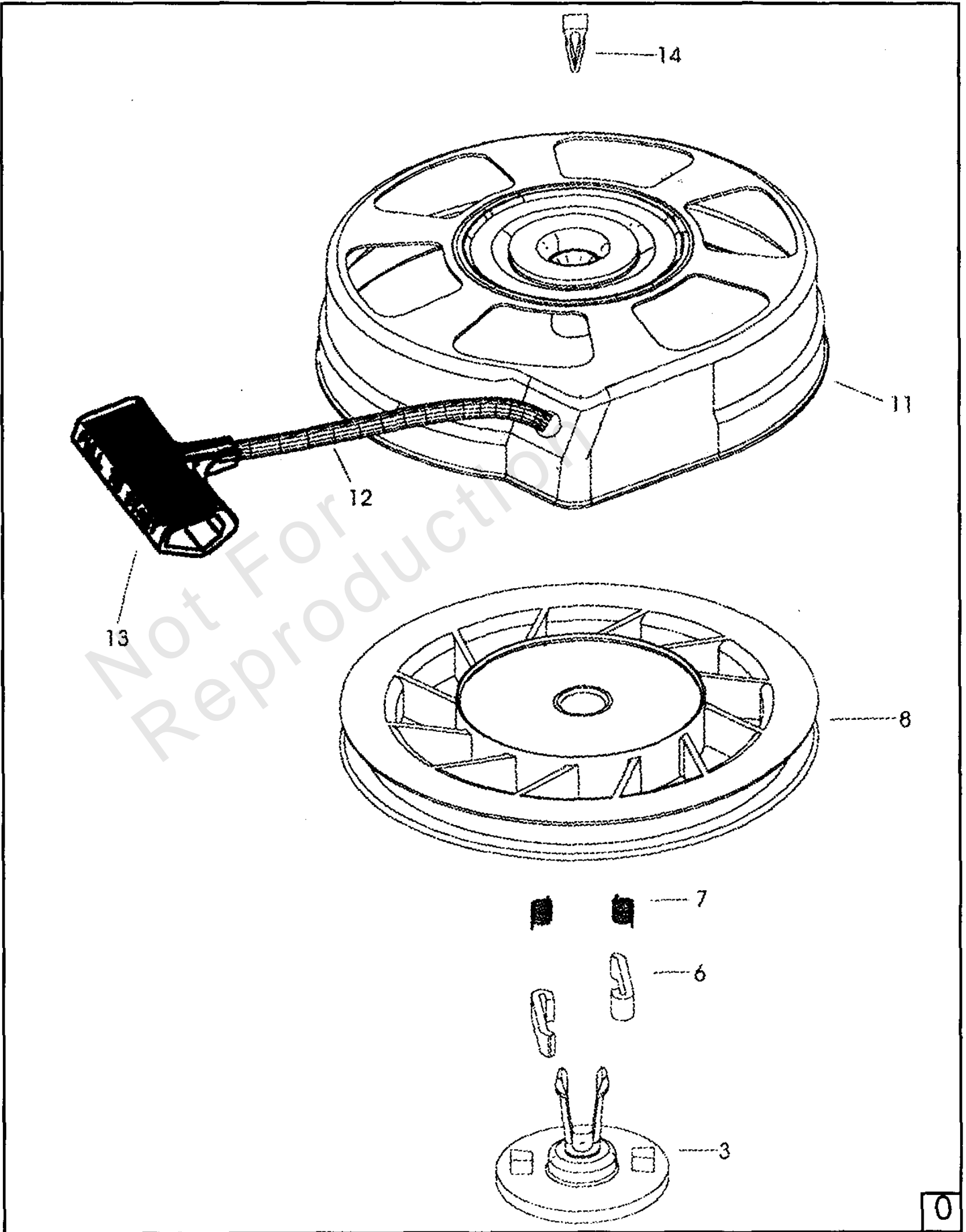
Pump & Crankcase Assemblies

REF NO	PART NO	QTY	DESCRIPTION
54	B1757	4	PLUG, Button M6 x 1.0 x 8mm
55	A1718	1	SET SCREW, M8 - 1.25 x 8mm
56	93644	1	ACTUATOR, Thermal Relief
57	95380	1	SPRING, Chemical Injector
58	95379	1	BALL, 5.5 dia. Chemical Injector
59	A1575	1	BARB HOSE, Brass with Nylon Insert
61	A1713	1	SEAT, Ball Unloader
62	A2015	1	BALL, Stainless Steel 9/32 Dia.
63	A2503	1	SEAT, Trapped Line Pressure
64	A2756	1	VALVE, Shuttle Piston
65	89138	1	SPRING, Check Valve
66	21123	1	O-RING, 3.68 x 7.24 x 1.78 cs
67	A1714	1	VENTURI, Chemical
68	A2014	1	SET SCREW, M6 - 1.0 x 8mm
69	B2241	1	CAP, Plastic
73	B2665	6	WASHER
74	B2015	0	SPACER PLATE ASSEMBLY
75	B3100	0	INLET CHECK VALVE ASSEMBLY
76	B3185	0	UNLOADER SPINDLE ASSEMBLY
77	B3183	0	PUMP HEAD ASSEMBLY
78	A2034	0	OUTLET CHECK VALVE ASSEMBLY
79	B1879	0	TRAPPED LINE PRESSURE CHECK VALVE
80	B2151	0	VENTURE ASSEMBLY
81	B2152	0	BALL SEAT ASSEMBLY
82	B2016	0	CRANKCASE ASSEMBLY
83	B3328	0	AXIAL CAM ASSEMBLY

Rewind Starter

Note: Unless noted otherwise, use the standard torque specifications

Mfg. No: 1051-1



0

Rewind Starter

REF NO	PART NO	QTY	DESCRIPTION
0	590739	1	Rewind Starter
3	590740	1	Retainer
6	590616	2	Starter Dog
7	590617	2	Dog Spring
8	590618A	1	Pulley & Rewind Spring Ass'y
11	59063B	1	Starter Housing Ass'y -(40 degree grommet)
12	590535	1	Starter Rope -(Length 98" x 9/64" dia.)
13	590701	1	Starter Handle
14	590741	1	Locking Tab

Not For Reproduction

Hardware Identification & Torque Specifications

Torque Specification Chart								
FOR STANDARD METRIC MACHINE HARDWARE (Tolerance ± 20%)								
Property Class	5.6		8.8		10.9		12.9	
	Class 5.6		Class 8.8		Class 10.9		Class 12.9	
Size Of Hardware	in/lbs	Nm.	in/lbs	Nm.	in/lbs	Nm.	in/lbs	Nm.
	ft/lbs		ft/lbs		ft/lbs		ft/lbs	
M3	5.88	.56	13.44	1.28	19.2	1.80	22.92	2.15
M4	13.44	1.28	30.72	2.90	43.44	4.10	52.56	4.95
M5	26.4	2.50	60.96	5.75	5.97	8.10	7.15	9.7
M6	44.64	4.3	7.3	9.9	10.3	14	12.1	16.5
M7	5.2	7.1	12.1	16.5	16.9	23	19.9	27
M8	7.7	10.5	17.7	24	25	34	29	40
M10	15	21	35	48	50	67	59	81
M12	26	36	61	83	86.2	117	103	140
M14	42	58	101	132	136	185	162	220
M16	64	88	147	200	210	285	250	340
M18	89	121	202	275	287	390	346	470
M20	126	171	290	390	405	550	486	660
M22	169	230	390	530	559	745	656	890
M24	217	295	497	375	708	960	840	1140
M27	320	435	733	995	1032	1400	1239	1680
M30	435	590	995	1350	1401	1900	1681	2280
M33	590	800	1349	1830	1902	2580	2278	3090
M36	759	1030	1740	2360	2441	3310	2935	3980
M39	988	1340	2249	3050	3163	4290	3798	5150

Torque Specification Chart						
FOR STANDARD MACHINE HARDWARE (Tolerance ± 20%)						
Hardware Grade	No Marks		SAE Grade 5		SAE Grade 8	
	SAE Grade 2		SAE Grade 5		SAE Grade 8	
Size Of Hardware	in/lbs	Nm.	in/lbs	Nm.	in/lbs	Nm.
	ft/lbs		ft/lbs		ft/lbs	
8-32	19	2.1	30	3.4	41	4.6
8-36	20	2.3	31	3.5	43	4.9
10-24	27	3.1	43	4.9	60	6.8
10-32	31	3.5	49	5.5	68	7.7
1/4-20	66	7.6	8	10.9	12	16.3
1/4-28	76	8.6	10	13.6	14	19.0
5/16-18	11	15.0	17	23.1	25	34.0
5/16-24	12	16.3	19	25.8	29	34.0
3/8-16	20	27.2	30	40.8	45	61.2
3/8-24	23	31.3	35	47.6	50	68.0
7/16-14	30	40.8	50	68.0	70	95.2
7/16-20	35	47.6	55	74.8	80	108.8
1/2-13	50	68.0	75	102.0	110	149.6
1/2-20	55	74.8	90	122.4	120	163.2
9/16-12	65	88.4	110	149.6	150	204.0
9/16-18	75	102.0	120	163.2	170	231.2
5/8-11	90	122.4	150	204.0	220	299.2
5/8-18	100	136	180	244.8	240	326.4
3/4-10	160	217.6	260	353.6	386	525.0
3/4-16	180	244.8	300	408.0	420	571.2
7/8-9	140	190.4	400	544.0	600	816.0
7/8-14	155	210.8	440	598.4	660	897.6
1-8	220	299.2	580	788.8	900	1,244.0
1-12	240	326.4	640	870.4	1,000	1,360.0

The guides and ruler furnished below are designed to help you select the appropriate hardware.



Nut, M8

Thread Diameter (mm)

Inside Diameter (in) Threads per inch

Nut, 1/2-16



Screw, M8- 1.25 x 25

Thread Diameter (mm) Distance between threads (mm) Body Length (mm)

Body Diameter Threads per inch Body Length (in)

Screw, 1/2- 16 x 2



Standard Hardware Sizing

When a washer or nut is identified as 1/2" (M8), this is the *Nominal size*, meaning the *inside diameter* is 1/2 inch (8mm metric thread diameter); if a second number is present it represents the *threads per inch* (distance between threads).

When bolt or capscrew is identified as 1/2 - 16 x 2" (M8 - 1.25 x 50), this means the *Nominal size*, or body diameter is 1/2 inch (8mm metric thread diameter), the second number, 16, represents the *threads per inch*, (*distance between threads*). The final number is the body length of the bolt or screw, 2 inches (50mm).

NOTES

- These torque values are to be used for all hardware excluding: locknuts, self-tapping screws, thread forming screws, sheet metal screws and socket head setscrews.
- Recommended seating torque values for locknuts:
 - for prevailing torque locknuts - use 65% of grade 5 torques.
 - for flange whizlock nuts and screws - use 135% of grade 5 torques.
- Unless otherwise noted on assembly drawings, all torque values must meet this specification.

Common Hardware Types

Hex Head Capscrew



Washer



Carriage Bolt



Hex Nut

Wrench & Fastener Size Guide

1/4" Bolt or Nut Wrench—7/16"	5/16" Bolt or Nut Wrench—1/2"	3/8" Bolt or Nut Wrench—9/16"	7/16" Bolt or Nut Wrench (Bolt)—5/8" Wrench (Nut)—11/16"	1/2" Bolt or Nut Wrench—3/4"
M6 Bolt or Nut Wrench—10mm	M8 Bolt or Nut Wrench—13mm	M10 Bolt or Nut Wrench—17mm	M12 Bolt or Nut Wrench—19mm	M14 Bolt or Nut Wrench—22mm

CRAFTSMAN®